



ASSEMBLY INSTRUCTIONS ROUND POOL MODEL CANYON - SUNSET

Dear Customer

Congratulations! You have purchased a pool of superior quality and durability. To achieve the best possible results, follow the instructions carefully. Failure to follow the installation procedures may result in damage to your pool or property and void your warranty. We recommend that you make a preliminary study of the instruction booklet to familiarize yourself with the different parts of your pool. Make sure that you understand each step thoroughly before you begin assembling.

We wish you a most pleasant and refreshing summer.

WARNING: Be sure you have read and understand the “Safety Information” sheets before you begin your pool installation.

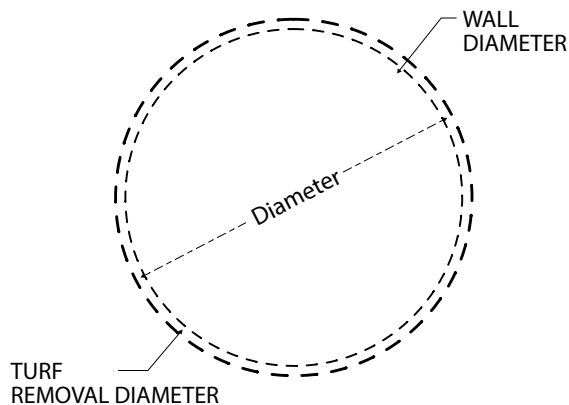


WARNING: For your safety, your pool is not designed for diving and/or jumping head first. Please do not dive. Diving may result in permanent injury or death.

1

SITE PREPARATION

When selecting a site for your pool, take into account city by-laws regarding fences and utilities laws pertaining to electrical cables, as well as the landscaping which you are planning once the pool is installed.

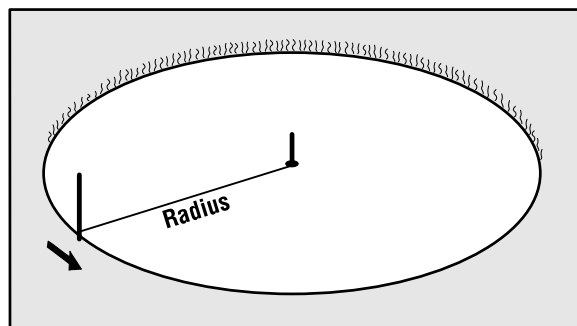


Drive a stake into the ground at the center of the site. Using a measuring tape, draw a circle 15 cm to 20 cm (6" to 8") longer in radius than the pool, depending on the width of the uprights (See Illustration 1.1).

Remove all grass from the area which you have just outlined.

Make sure to order the required quantity of sand and stone dust (See Chart).

Illustration 1.1



1

SITE PREPARATION (continued)

Chart

TRUE WALL DIAMETER	TRUE POOL RADIUS	MODEL	TURF REMOVAL		NECESSARY MATERIALS *	
			RADIUS	DIAMETER	SAND	STONE DUST
3,04 m (9' 11-3/4")	1,52 m (4' 11-7/8")	10'	1,73 m (5' 8")	3,45 m (11' 4")	3/4 tonne	1/4 tonne
3,69 m (12' 1-1/8")	1,85 m (6' 0-7/8")	12'	2,03 m (6' 8")	4,06 m (13' 4")	1 tonne	1/3 tonne
4,58 m (15' 1/8")	2,29 m (7' 6-1/8")	15'	2,50 m (8' 2")	5,00 m (16' 4")	1 1/4 tonne	1/2 tonne
5,43 m (17' 9-7/8")	2,72 m (8' 11-1/16")	18'	2,95 m (9' 8")	5,90 m (19' 4")	1 1/2 tonne	3/4 tonne
6,37 m (20' 10-3/4")	3,18 m (10' 5-3/8")	21'	3,40 m (11' 2")	6,80 m (22' 4")	1 3/4 tonne	1 tonne
7,29 m (23' 10-3/4")	3,64 m (11' 11-1/4")	24'	3,85 m (12' 8")	7,70 m (25' 4")	2 tonnes	1 1/2 tonne
8,19 m (26' 10-1/2")	4,09 m (13' 5-1/16")	27'	4,30 m (14' 2")	8,60 m (28' 4")	2 1/4 tonnes	1 3/4 tonne
9,10 m (29' 10-1/2")	4,55 m (14' 11-1/8")	30'	4,75 m (15' 8")	9,5 m (31' 4")	2 1/2 tonnes	2 tonne
10,01 m (32' 10")	5,00 m (16' 4-7/8")	33'	5,23 m (17' 2")	10,45 m (34' 4")	2 3/4 tonnes	2 1/2 tonne

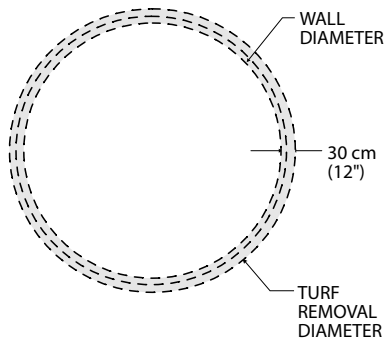
* If you use only sand, add stone dust tonnage to sand.

2

SITE LEVELLING

Level the edge of the circle, from the turf removal line up to 30 cm (12") within the circle.

To do this, use a carpenter's level set on a large straight beam, a rope or an optical level.



Carefully pack the soil using a tampering tool or vibrating plate (See Illustrations 2.1 and 2.2), especially those areas where a large quantity of soil was added.

It is also highly recommended to firm up the edge by adding a 2 cm (3/4") layer of stone dust (or sand).

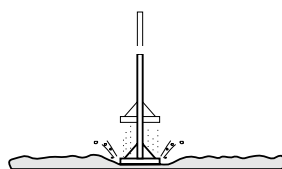


Illustration 2.1

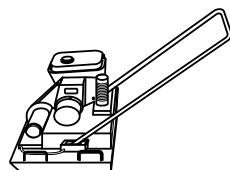


Illustration 2.2

Optional

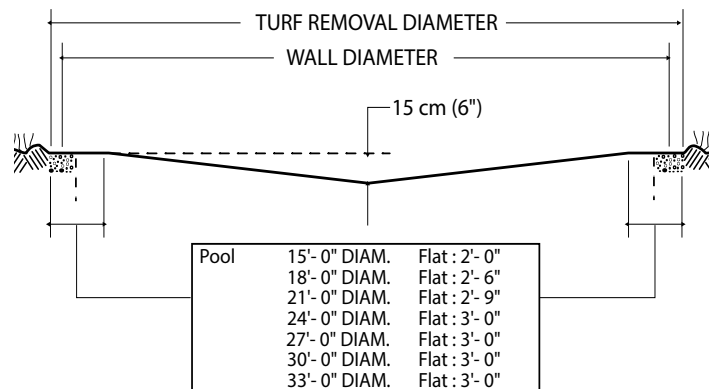
The center of the circle can then be excavated at the desired depth, not to exceed 15 cm (6") for a standard liner (See Illustration 2.3).

Remove any stone, pieces of wood or other debris from within the circle. Flatten any protrusion and pack the soil tightly. Spread the area with salt to prevent roots from growing back and to eliminate earthworms. Spread also ant repellent; all causes of post-installation cracking.

To protect the liner, cover with a thick 2 cm (3/4") layer of compacting sand.

Make sure you add a sufficient quantity of sand to the base finishing inside the circle (See Step 6).

Illustration 2.3



3

BOTTOM DRAIN ASSEMBLY (if applicable)

Dig a hole 30 cm (12") wide by approximately 25 cm (10") deep in the center of the circumference.

From the center hole to the projected location of the pool motor, dig a 15 cm (6") wide trench. Place the removed soil aside to be used later to cover the hose.

Bottom Drain Assembly

Place teflon around the threaded plug. Screw in drain holes using large pliers. Glue the connector in the appropriate opening.

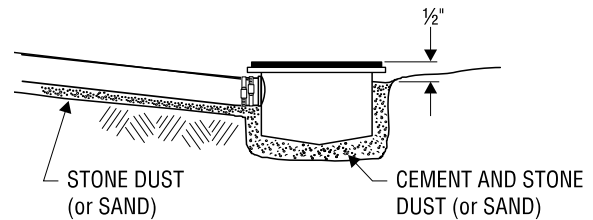
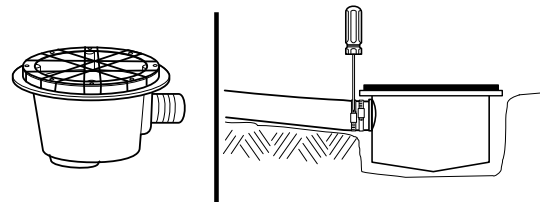
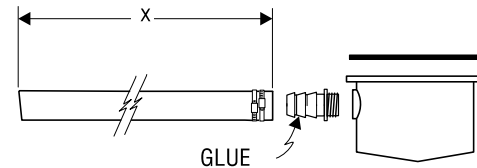
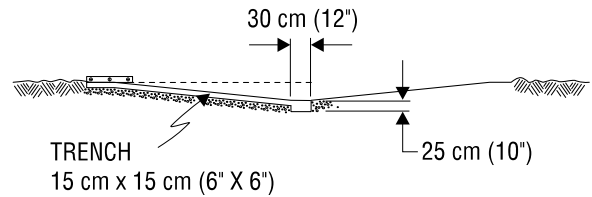
Take one of the two rubber rings and adjust it to the top of the drain, aligning the holes carefully. Secure with strips of adhesive tape to prevent sand from penetrating inside the holes once the drain has been installed.

Secure one end of the long black or white hose inside the drain spout. First apply glue on the drain spout and inside the drain end, then secure with one or two collars.

Cut the hose so that it ends with the stone dust (or sand). Measure the pool radius from the center of the drain, then add 15 cm (6").

Place the assembled bottom drain in the hole so that it is approximately 1.3cm (1/2") higher than the surface soil. Bury the hose, levelling the drain as much as possible. Compact the soil, using your feet and a tampering tool as well.

Mix three (3) shovels of stone or sand dust with one half shovel of pure cement, adding a small quantity of water, then pour the cement around the drain until it reaches 1.3 cm (1/2") from the top.



4

BOTTOM WALL TRACKS ASSEMBLY

Insert the wall tracks on each side of the joiner plates. Evenly space the ends of both tracks in the center of the joiner plate. (See Illustration 4.1).

Make a complete circle, using half of the wall tracks and joiner plates found in the pool kit (See Chart and Illustration 4.2).

Illustration 4.1

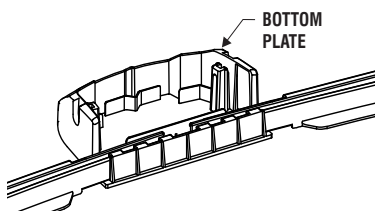
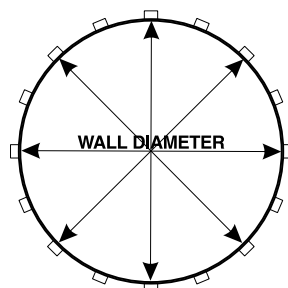


Illustration 4.2



Chart

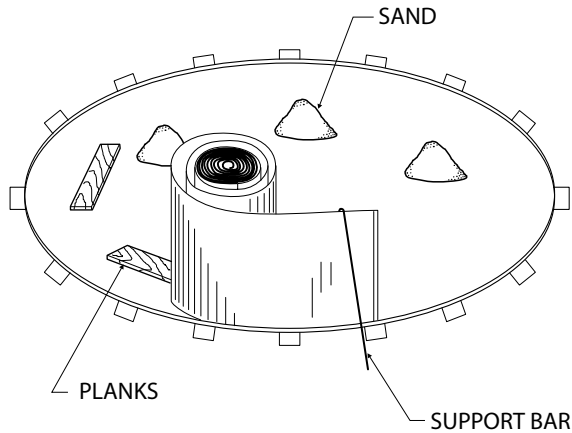
POOL DIAMETER	NUMBER OF TRACKS	NUMBER OF PLATES
3,05 m (10')	8	8
3,66 m (12')	10	10
4,57 m (15')	10	10
5,48 m (18')	12	12
6,40 m (21')	14	14
7,31 m (24')	16	16
8,22 m (27')	18	18
9,14 m (30')	20	20
10,06 m (33')	22	22

5

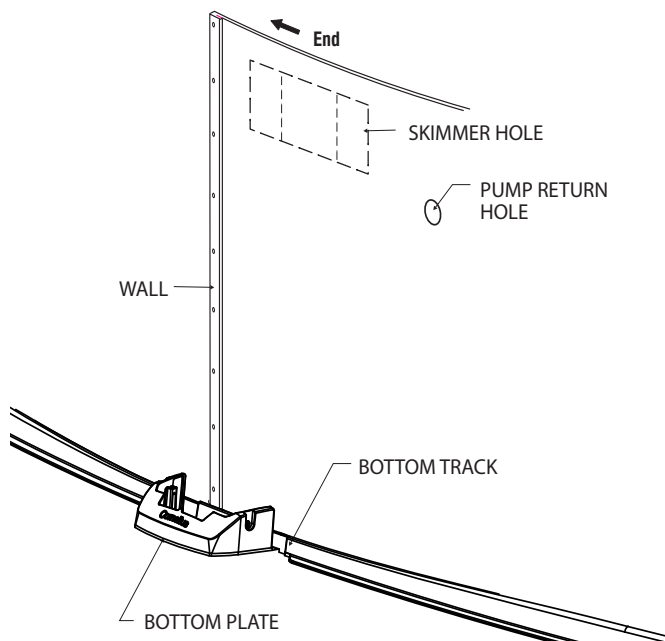
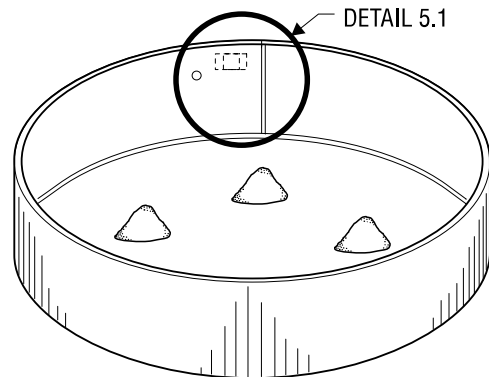
WALL INSTALLATION

Add sand.

Before uncoiling the wall, make sure the pre-punched holes for the skimmer and pump return are at the top and facing the planned location of your filter.



Begin inserting the wall into the bottom wall tracks in the middle of a joiner plate. At first, the wall is kept in place with one or two pegs and strings (or extra persons). One person uncoils the wall on a beam or a plank, while a second person inserts it in the bottom wall tracks. Do not uncoil more than 3 m (10') of wall before you install a support bar or peg and string to reinforce the structure.



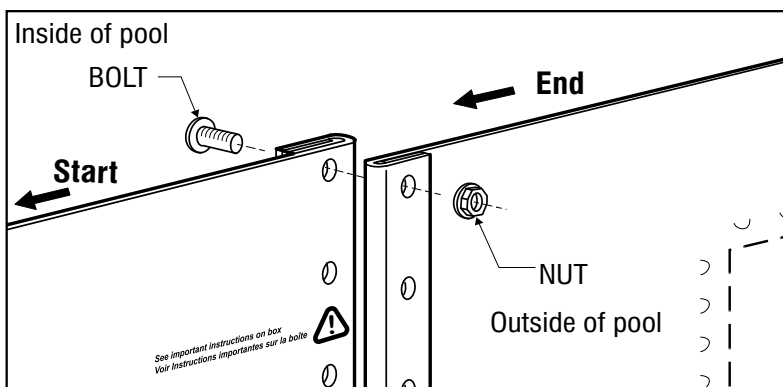
Once the wall is completely uncoiled, you may find that it is too long or that both ends do not meet by a few centimetres. If such is the case, adjust tracks and joiner plates until wall holes line up. If this does not work, roll up the wall again, realign the grooves and uncoil the wall again. If the spread is too wide, measure the wall and check it against the chart below.

Join the ends of the walls by orienting folds outward to hide the exclamation icon. (Illustration 8.1)

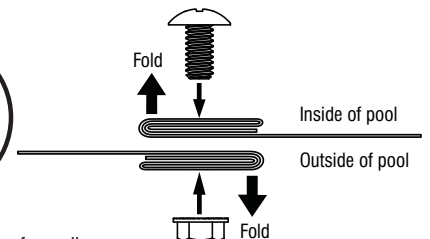
Note: If the wall is attached properly, you should no longer see the exclamation icon. If you can always see the icon, you must reverse the overlap.

Insert bolts and nuts in every hole and tighten with wrench (screw head on water side of wall). Tape over screw heads with duck tape.

Illustration 5.1



Do not use impact gun for wall screws.
Minimum torque force of 60 inch pounds to maximum of 85 inch pounds.



IMPORTANT! Installing the wall joint in non-compliance with the specifications dictated by the manufacturer will void the warranty. A faulty installation will cause the wall/joint to split which could result in serious and/or fatal injuries!

5

WALL INSTALLATION (continued)

Chart

POOL DIAMETER	ACTUAL LENGTH OF WALL
3,05 m (10')	9,55 m (31' 4")
3,66 m (12')	11,58 m (38')
4,57 m (15')	14,38 m (47' 2")
5,48 m (18')	17,07 m (56')
6,40 m (21')	20,02 m (65' 8")
7,31 m (24')	22,89 m (75' 1")
8,22 m (27')	25,73 m (84' 5")
9,14 m (30')	28,60 m (93' 10")
10,06 m (33')	31,45 m (103' 2")

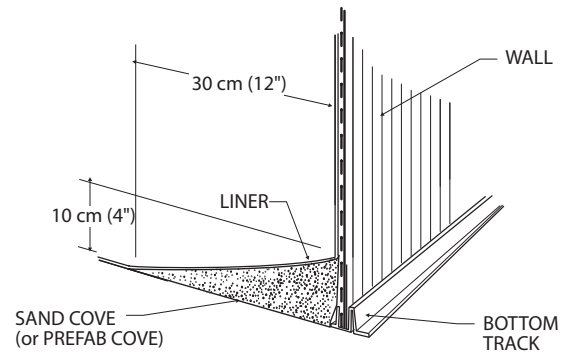
6

SAND BASE FINISHING

You can now spread approximately 10 cm (4") of compacting sand all around the inside base of the wall in order to protect the liner from the cutting edges of the bottom wall tracks and the stone dust (if applicable), or install a prefabricated cove if available.

SAND BASE FINISHING

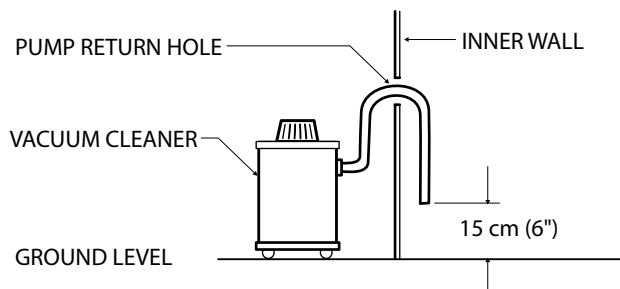
Level finishing sand one last time. Make sure that any sharp stones, debris or roots have been removed from the surface. For better protection, spray sand with water and pack it once more until the base is nicely even.



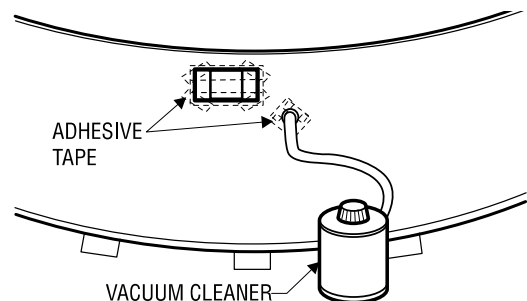
7

VINYL LINER INSTALLATION

Before pulling the liner up against the wall, insert a vacuum cleaner hose down into the pump return hole to approximately 15 cm (6") from the ground.



Maintain the hose in place with adhesive tape. Don't forget to block the skimmer hole with adhesive tape to prevent air from leaking in.

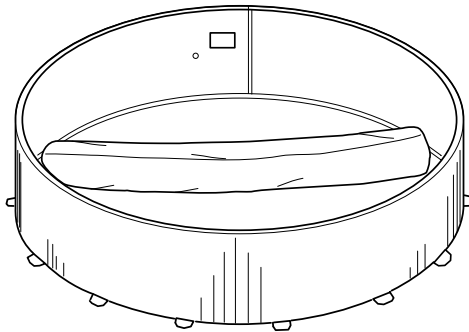


Place the unfolded liner in the center of the pool area at right angles with the skimmer hole. Make sure you wear light, flat-soled shoes to walk on the sand as the slightest heel mark could be visible once the pool is filled.

Carefully unfold the liner, bringing the bottom-sidewall seam close to the wall base. Make sure that the side with the protruding seams faces downward or that the patterned side faces upward.

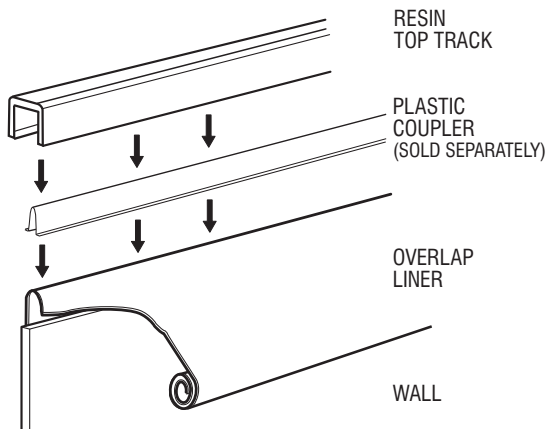
7

VINYL LINER INSTALLATION (continued)



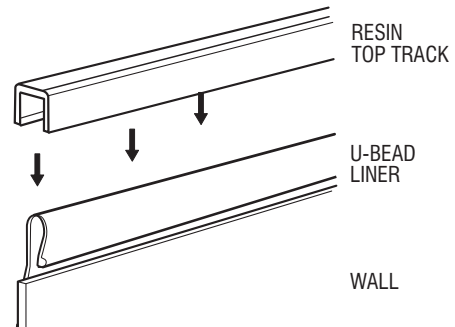
Lift up a section of the liner over the top of the wall leaving a 10 cm to 15 cm (4" to 6") fringe outside the wall. Secure the liner with a plastic coupler (sold separately). Install the top track on the wall then install the top plates on top of each upright.

At this point, the liner may be too tight, making it difficult to drape the overlap or, on the contrary, too loose. In such cases, you will have to redistribute the tension in the liner by removing some of the couplers and readjusting the liner.



Installation detail of a bead liner with top track.

Hang the liner on the top of the wall and install the top track to secure.



Start the vacuum cleaner to allow the liner to adhere to the wall and check for excess tension at the bottom or for wrinkles. Adjust the liner by removing wrinkles if needed, to lift or lower it in order to ensure a perfect fit.

Fill the pool up to the base of the wall before stopping and removing the vacuum cleaner.

PUMP RETURN FITTING

After you remove the vacuum cleaner, you may install the return fitting. Place the return fitting ring against the liner and adjust it so that it is perfectly aligned with the hole in the wall. When the ring is properly positioned and secured, cut the liner in the middle of the ring.

Insert the return fitting from the inside, placing the first gasket between the return fitting and the liner and the second between the wall and the liner. Then tighten the outside ring with large pliers, taking care not to crease the liner.

BOTTOM DRAIN (optional)

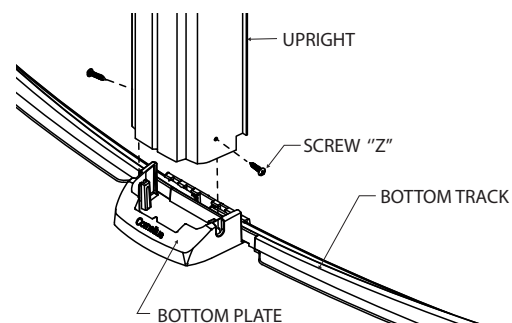
Find the holes through the middle of the liner and screw the ring and gasket in against the liner before cutting the liner in the middle of the ring, then screw on the drain cover.

8

UPRIGHT INSTALLATION

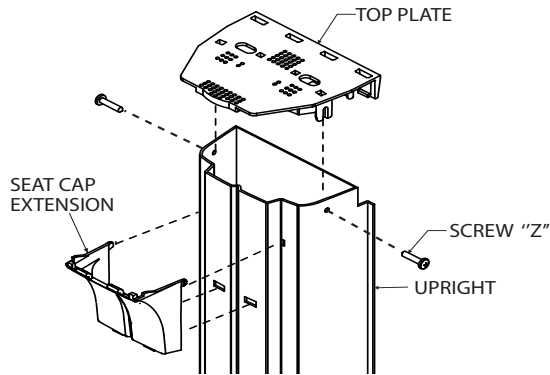
Attach the uprights to the bottom plate plates with two (2) screws "Z", which can be found in the hardware bag.

Uprights must be installed inside the bottom plate.



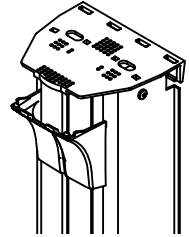
9

UPRIGHT POST TOP PLATE INSTALLATION



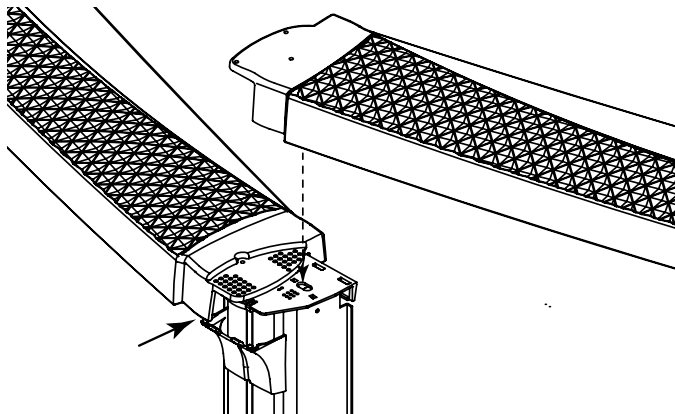
Install the top plate into the upright and secure with two (2) screws "Z" on each side.

Clip the cap extension into the upright. Make sure it snaps into the upright.



10

TOP SEAT INSTALLATION

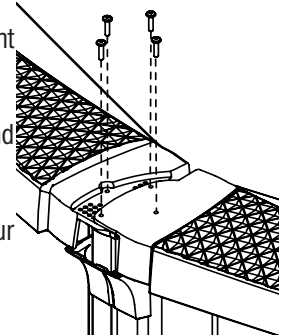


Place the top seats on the top of the uprights ensuring that the rod under the seat is inserted into the oblong holes in the top plate.

Be sure to have a vertical (plumb) upright before fixing the top seat.

Evenly distribute the top seats all around the pool.

Secure the top seat in place using four (4) "Z" screws where indicated.

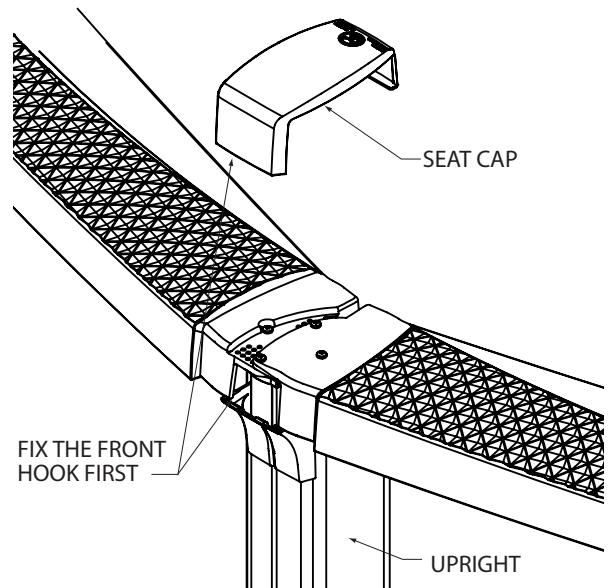
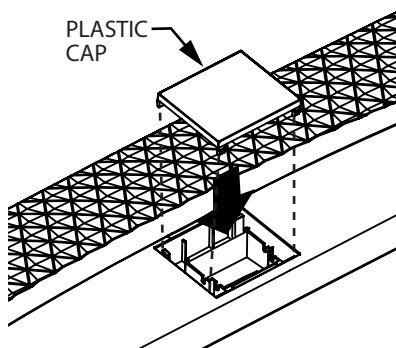


11

SEAT CAP INSTALLATION

Snap the seat cap starting outside the top seat. Then snap the other side inside the top seat.

Snap the plastic cap in the middle of the top seat if no light is used.



12

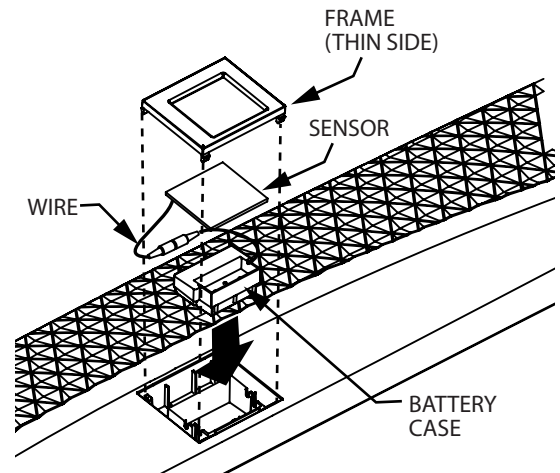
OPTIONAL LIGHTING

Connect the two wires together.

Place the battery case in the top seat cavity, the smallest part towards the inside of the pool.

Bend the wire into the space behind the battery case and lower the sensor over it.

Hold everything in place using the plastic frame by placing the thin part towards the inside of the pool.



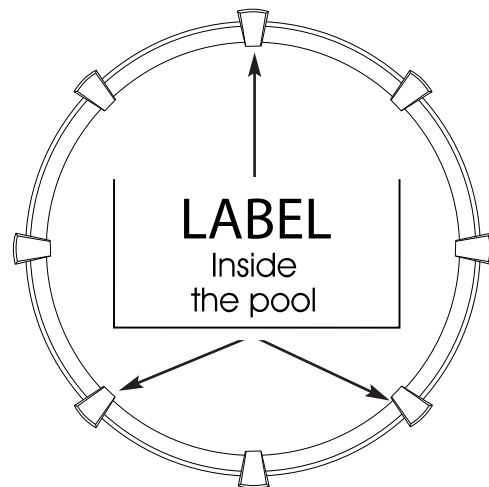
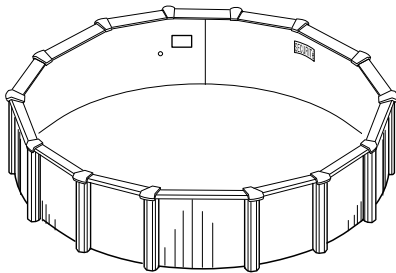
13

SECURITY LABELS INSTALLATION

Install the four (4) safety labels (DANGER) supplied with your pool as follows: two (2) labels visible at the entrance to the pool and two (2) visible at the main access of the backyard.

Install a minimum of three (3) safety labels (supplied with the liner) inside the pool so that at least one label is visible no matter where the bather enters the water (see drawing for positioning).

Important: if you require additional labels, please contact us at Corneliuspools.com



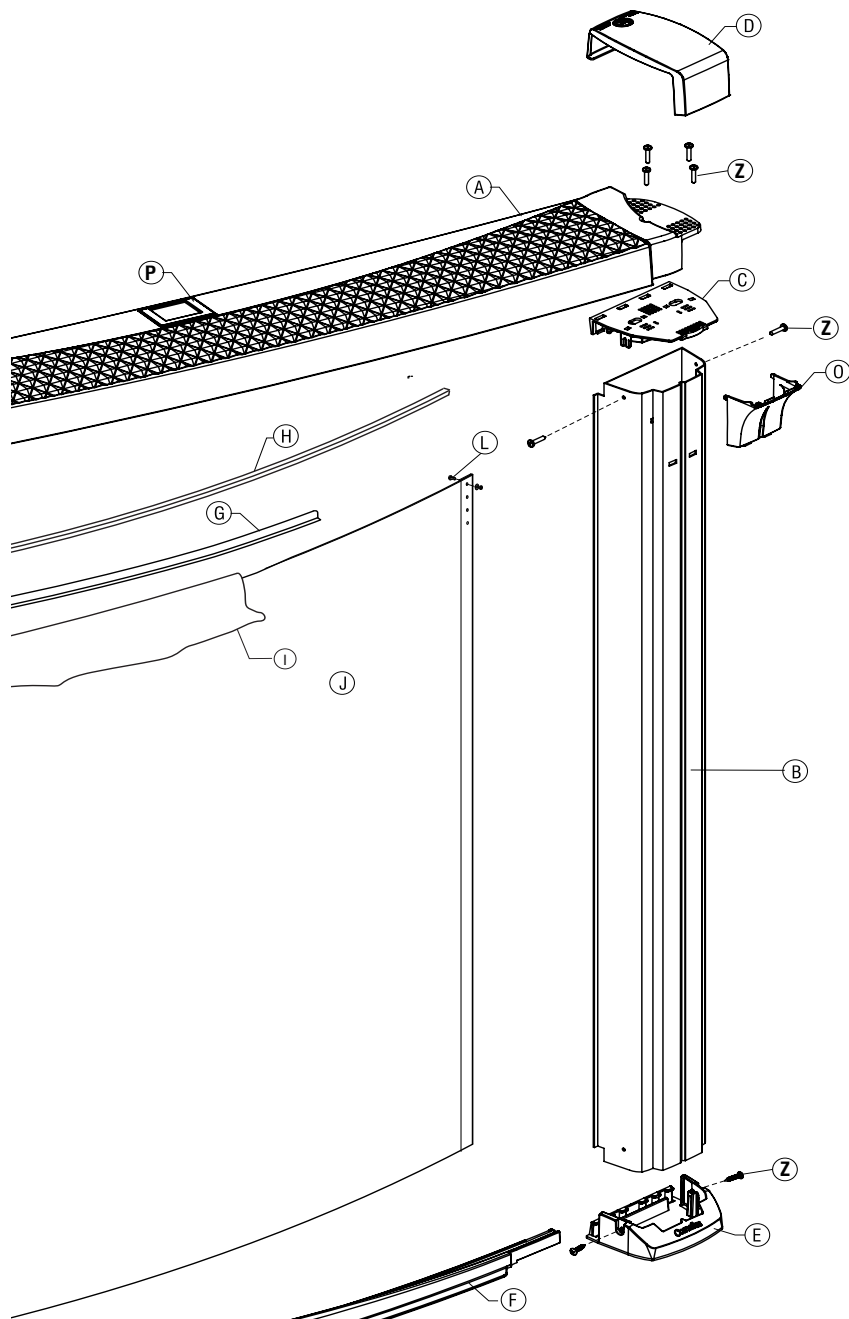
14

FILTRATION SYSTEM ASSEMBLY

Assemble skimmer, inlet, drain, filter, pumps, hoses according to separate manufacturer's instructions.

Note: See 'Safety Information' Manual.

ARTICLE	DESCRIPTION	10'	12'	15'	18'	21'	24'	27'	30'	33'
A	Top seat	8	10	10	12	14	16	18	20	22
B	Upright	8	10	10	12	14	16	18	20	22
C	Top plate	8	10	10	12	14	16	18	20	22
D	Seat cap	8	10	10	12	14	16	18	20	22
O	Cap extension	8	10	10	12	14	16	18	20	22
P	Plastic cap	8	10	10	12	14	16	18	20	22
E	Joiner plate	8	10	10	12	14	16	18	20	22
F	Wall track	8	10	10	12	14	16	18	20	22
G	Plastic coupler (sold separately)	8	10	10	12	14	16	18	20	22
H	Resine stabiliser track	8	10	10	12	14	16	18	20	22
I	Liner	1	1	1	1	1	1	1	1	1
J	Wall	9,55 m (31' 4")	11,58 m (38')	14,38 m (47' 2")	17,07 m (56')	20,02 m (65' 8")	22,89 m (75' 1")	25,73 m (84' 5")	28,60 m (93' 1")	31,45 m (103' 2")
Z	Screw #14 x 1"	64	80	80	96	112	128	144	160	176
L	Bolt - nut (for 52") for wall	25 (29)	25 (29)	25 (29)	25 (29)	25 (29)	25 (29)	25 (29)	25 (29)	25 (29)
M	Drain Kit (if applicable)	1	1	1	1	1	1	1	1	1



SAFETY AND FUN GO TOGETHER!

SAFETY INFORMATION

Read this before installing your above-ground pool.



12 775, Brault Street, Mirabel, Quebec, Canada J7J 0C4
Phone: 1 800 44-TREVI (1 800 448-7384)
Fax: 1 866 777-0167

GENERAL INFORMATION

The pool is subject to wear and deterioration if not maintained properly. Certain types of excessive or accelerated deterioration can lead to failure of the pool's structure, which may release large quantities of water that could cause bodily harm, death and property damages.

In order to ensure proper water drainage around the pool, a 2-degree slope needs to be erected around the perimeter of the pool. THE MANUFACTURER WILL NOT BE HELD RESPONSIBLE FOR ANY LIABILITY SHOULD THIS STEP BE OMITTED.

Before installing your pool, you should check local regulations such as building codes, zoning requirements and electrical codes to determine whether a building permit or electricity permit is required to install your pool. Local regulations may ask you to make sure your backyard meets set-back requirements, install gates, barriers or other safety devices, or meet other conditions.

WARNING: All pool components, such as the filtration system, pump and heater and other objects, should be positioned so that people cannot use them to gain access to the pool or the deck. Positioning such objects too close to the pool may allow people access to the pool while unattended and may cause them serious injury or death.

We are not responsible for faulty installation of the pool, we are not affiliated with any pool installer and assume no responsibility or liability for the purchaser's or a professional installer's errors in installing your pool. **NO DIVING, NO JUMPING and PREVENT DROWNING** stickers are provided with your pool. These stickers must be affixed to the interior of the pool above the water line, or any places where the pool users can see them clearly before enter the pool. If you need more stickers or if some are missing, you can order these at info@trevi.ca or by calling 1 800 44TREVI

Although we do not manufacture pool ladders, every pool must have an ANSI APPROVED pool ladder for proper entering and exiting of the pool. The proper use of the pool ladder by pool users is an integral part of general pool safety (Please refer to your pool ladder safety instructions).

SAFETY EQUIPMENT

For your protection and for the safety of others, we recommend that lifesaving equipment be on hand near the pool at all times.

We recommend that you purchase one of the following:

A light, strong and rigid pole, frequently referred to as a Shepard's Crook, at least twelve feet long or a throwing rope at least ¼ inch in diameter and as long as 1.5 times the maximum width or diameter of your pool. The rope should be firmly attached to a coast guard-approved buoy with an outside diameter of approximately 15 inches.

LADDER SAFETY

Although we do not manufacture ladders, the proper use of the ladder by pool users is an integral part of general pool safety.

NSPI standards require all pools to have an approved ladder attached for proper access to and from the pool. The purchaser should follow the pool ladder manufacturer's installation instructions.

Please follow these rules regarding the use of the ladder:

- Only one person on the ladder at a time.
- The user should face the ladder whether going in or out of the pool.
- **NO DIVING or JUMPING** from the ladder steps or the ladder's platform.
- Check all nuts and bolts regularly to make sure the ladder is safe.
- Inform others of the rules pertaining to the use of ladder and steps.

USAGE SAFETY INFORMATION

- 1** • Share safety instructions with family, friends, pool watchers or neighbors.
- 2** • The installer of the vinyl liner shall affix on the original or replacement liner, or on the pool structure, all safety signs in accordance with the manufacturer's instructions. The safety labels shall be placed above the water line.
- 3** • Never dive, jump or slide into an above ground swimming pool. Diving, jumping or sliding may result in permanent injury or death. Use a pool ladder or step to enter the pool smoothly, feet first. The owner must follow the ladder manufacturer's instruction and safety warning.
- 4** • Never swim alone.
- 5** • Don't enter the pool if you have been using alcohol or drugs, because your reaction time may be too slow.
- 6** • Adult supervision is always necessary. Never take your eyes off children or swimmers in the water or near the pool, not even for a minute. Designate an adult "pool watcher". Make sure that you or your pool watcher are able to intervene in less than 10 seconds to save a life or avoid injury.
- 7** • If a child is missing; always look in the pool first.
- 8** • Be proactive to prevent death or disability.
- 9** • The pool owner or "pool watcher" should learn CPR (CardioPulmonary Resuscitation) and should teach children and other people how to swim.
- 10** • Winter or solar covers are not intended to act as safety barriers. The cover must be completely removed when the pool is in use. A person may become trapped under a pool cover, which may result in severe bodily injuries, including death.
- 11** • Keep rescue equipment such as life rings and reaching poles etc, by the pool. Please consult you municipality to get a rescue equipment list.
- 12** • An emergency phone number such as: nearest available police, fire, ambulance and/or rescue unit, must be visible from pool area. A functioning and/or cellular phone must be reachable within 10 seconds.
- 13** • Avoid entrapments. Suction from a pool drain or skimmer can trap an adult or children underwater:
 - Hair can get caught in faulty drain cover.
 - Arms, legs and fingers can become lodged in a suction opening.
 - Any body part that can cover a drain can cause injuries.
 - Jewelry or bathing suits can become entangled in a faulty drain cove.A pool with broken, loose, missing or non compliant drain cover should be considered as dangerous and should not be used.
- 14** • Lighting, when installed, shall be in concordance with the National Electrical Code.
- 15** • During nighttime pool use, artificial lighting must be used to illuminate pool, all safety signs, ladders, steps, deck surface and walkways.
- 16** • All electrical appliances must be kept away from the pool, and not be reachable by pool users.
- 17** • The pool deck should be kept clean and clear of objects to avoid tripping or slipping. The deck should have a non-slip surface.
- 18** • Do not sit, dive, climb or stand on the top rails of the pool.
- 19** • It is important that all users be able to see the bottom of the pool. Foggy water must be cleared up before entering the pool.
- 20** • Steps and pool ladders should be secured and locked or removed when the pool is not in use. Swimming pool barriers or fences with self-latching and self-closing gates which prohibit children or other people from gaining access to the pool must be installed around the pool to avoid injury or death. The latch should be out of reach of children. Consult your municipality for more details and specifications.